

Standard Construction and Materials

- FRAME:** 18-GA. galvanized steel.
- BLADE:** 18-GA. galvanized steel. Blades approximately 6 9/16" on centers.
- SCREEN:** (When indicated)
1/2" sq. mesh, 19-GA. galvanized steel (.041").

CONSTRUCTION: Riveted and/or welded, full jambs with blades, head and sill contained within.

Options

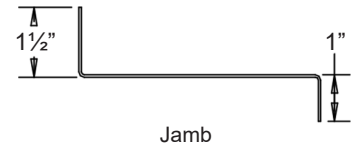
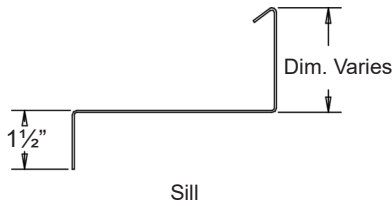
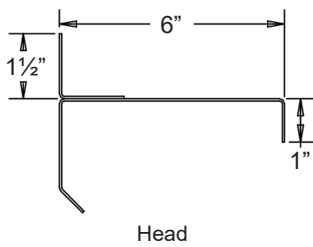
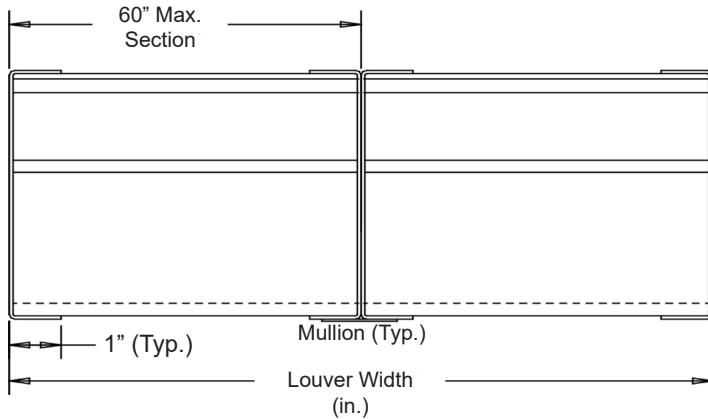
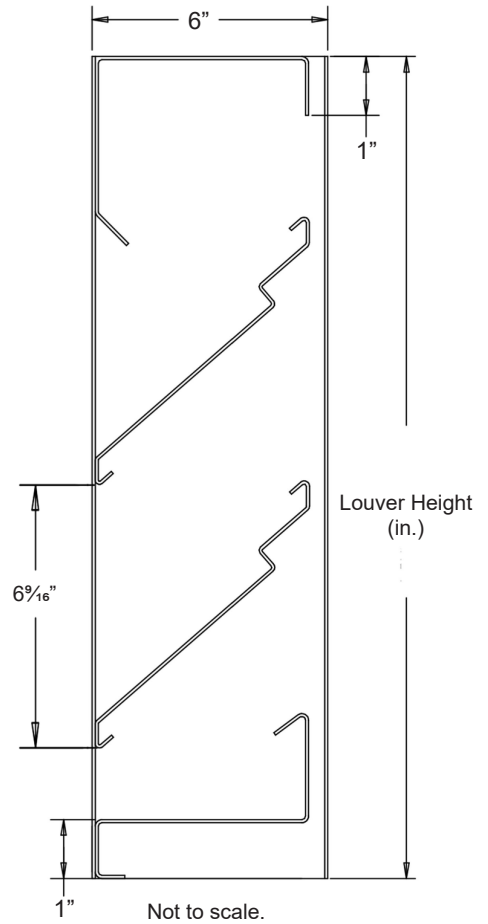
- Flange Frame available.
- Finishes - Enamels, Epoxies, etc.
- Screens - Insect screen 1/16 aluminum mesh,
 - or- 1/2" flattened aluminum, .051",
 - or- 1/4" sq. mesh, 18-GA galvanized steel, .047",
 - or- 1/2" sq. mesh, 18-GA stainless steel, .047",
- Others available.

Notes

1. Nominal deductions will be made to the opening size given.
2. Average shipping weight is 8.5 lbs./sq.ft.

Louver Sizes

Min Panel	Max Single Panel
12"W x 12"H	60"W x 96"H



Flanged Frame Available

Item #	Qty	Width	Height	Width	Height	Mullion	Type	Location		
		Opening Size		Louver Size			Screens			Union Made
Arch. / Eng.:						EDR:		ECN:		Job:
Contractor:										
Project:						Date:		DWN:		DWG:

In the interest of product development, Cesco Products reserves the right to make changes without notice.



450 Riverside Dr • Wyalusing PA, 18853
Phone: 570-746-1888 • Fax: 570-746-9286
www.cescoproducts.com

Free Area Table

		Free Area (sq.ft.)								
		Width (in.)								
		12"	18"	24"	30"	36"	42"	48"	54"	60"
Height (in.)	12"	.20	.32	.45	.57	.69	.81	.93	1.06	1.18
	24"	.59	.95	1.31	1.67	2.02	2.38	2.74	3.09	3.45
	36"	1.12	1.80	2.47	3.15	3.82	4.50	5.17	5.84	6.52
	48"	1.57	2.52	3.46	4.41	5.35	6.30	7.33	8.19	9.13
	60"	2.10	3.37	4.63	5.89	7.15	8.41	9.67	10.94	12.20
	72"	2.55	4.08	5.61	7.14	8.67	10.20	11.73	13.26	14.79
	84"	3.19	5.11	7.03	8.94	10.86	12.78	14.69	16.61	18.52
	96"	3.39	5.42	7.45	9.48	11.51	13.55	15.58	17.61	19.64